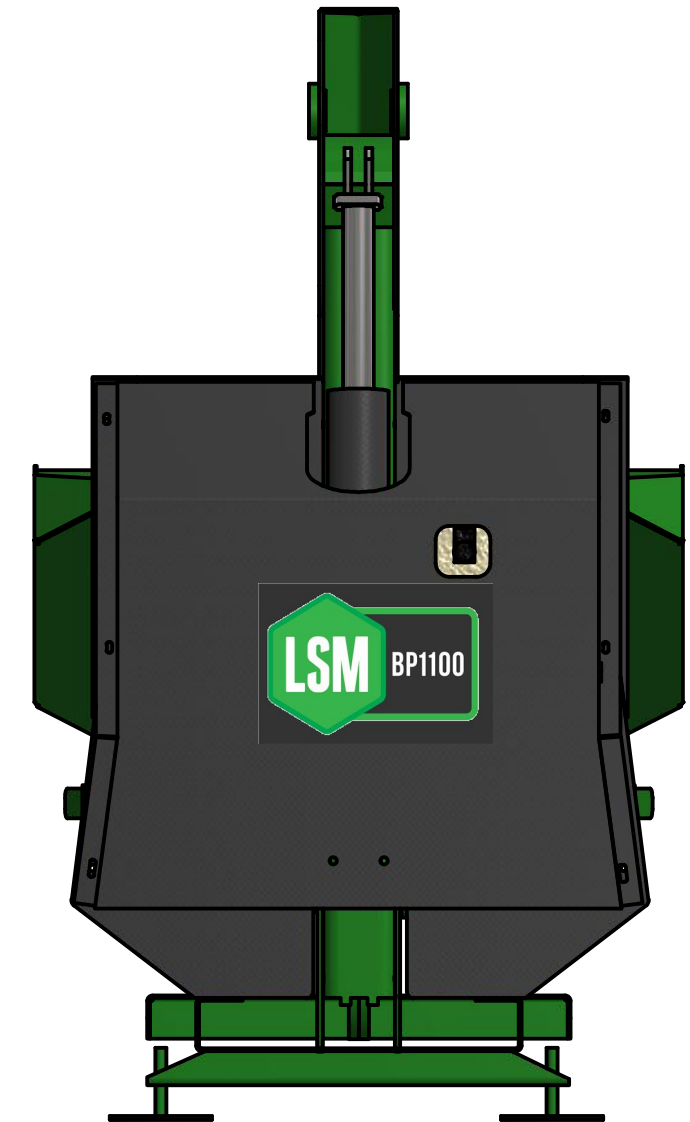
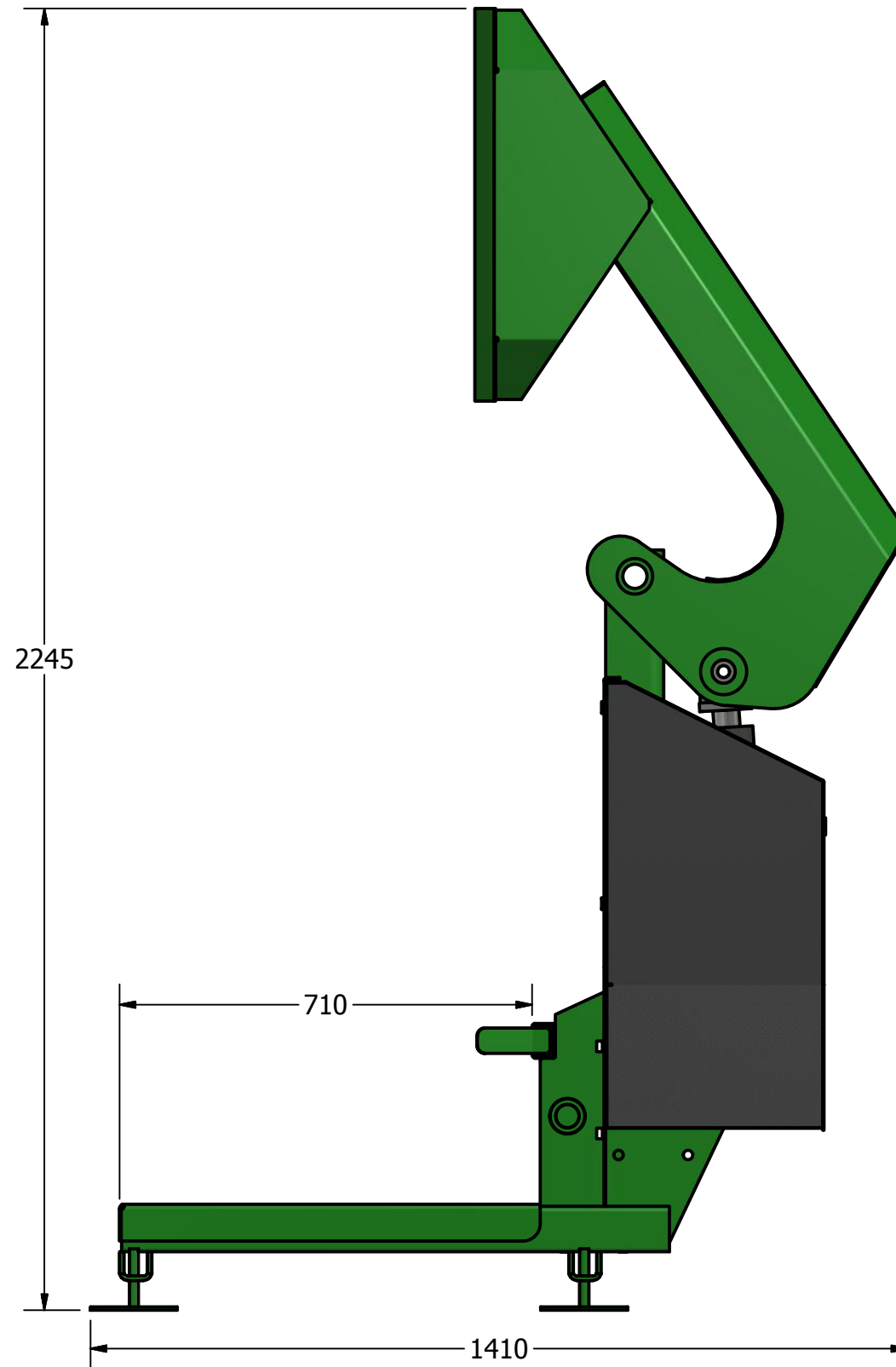
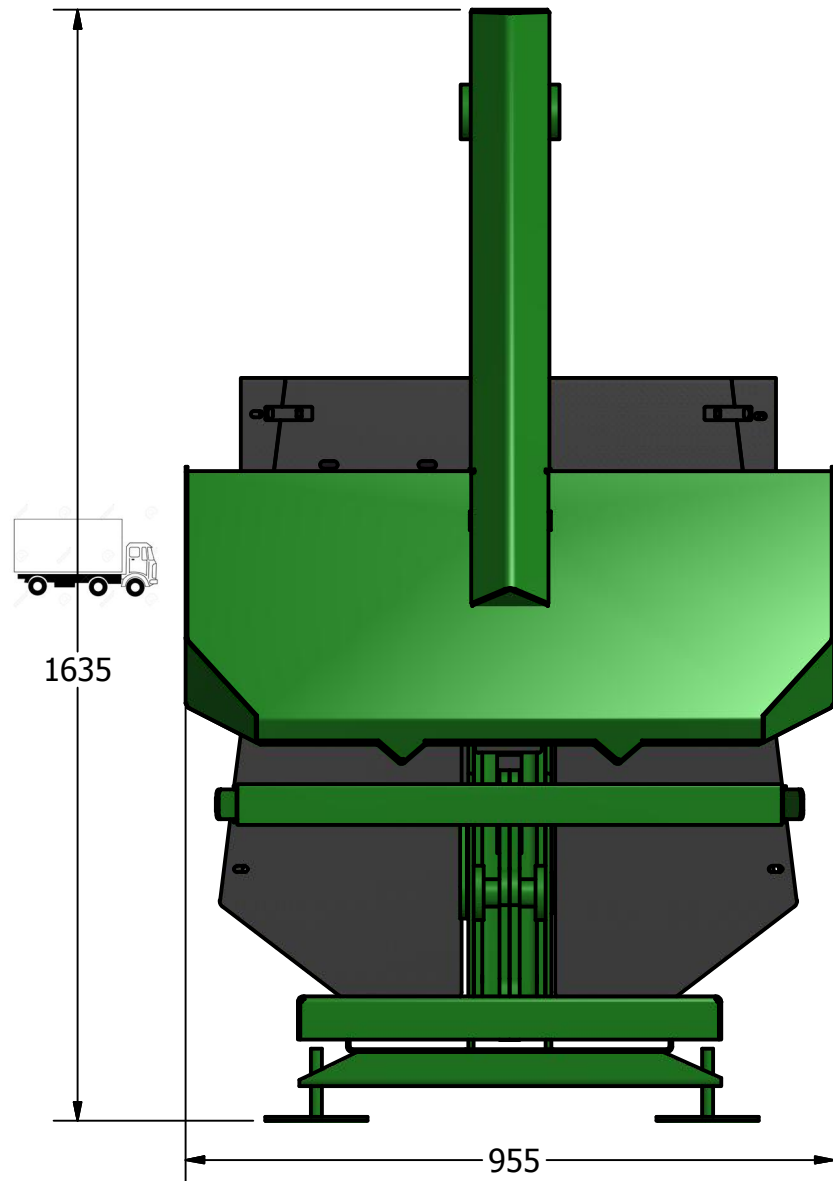
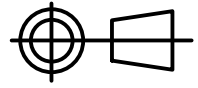


THIRD ANGLE PROJECTION



WWW.LSMLTD.COM

MODEL CODE	BP1100
MACHINE WEIGHT	285 KG
NOISE LEVEL	70 dB