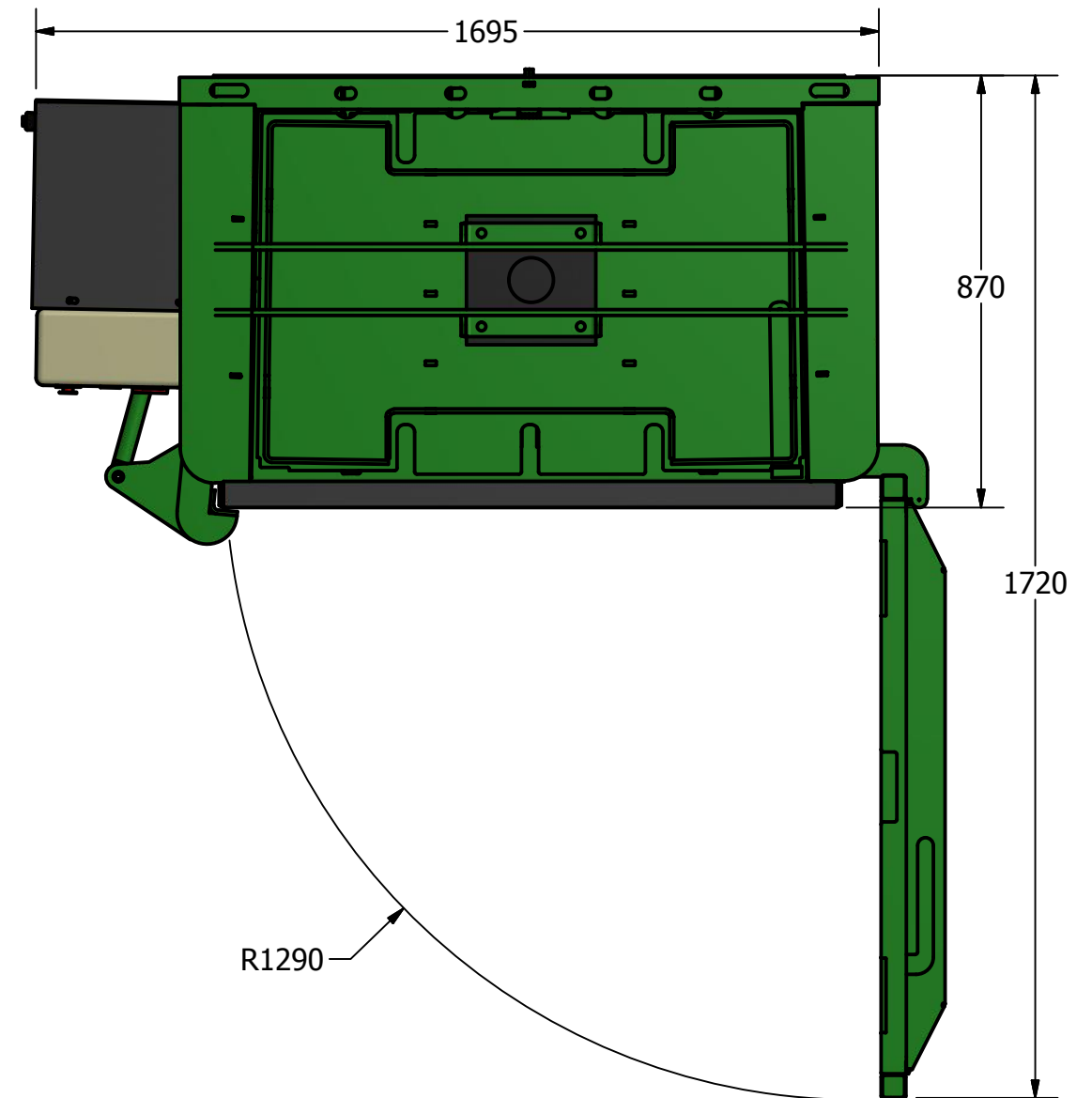
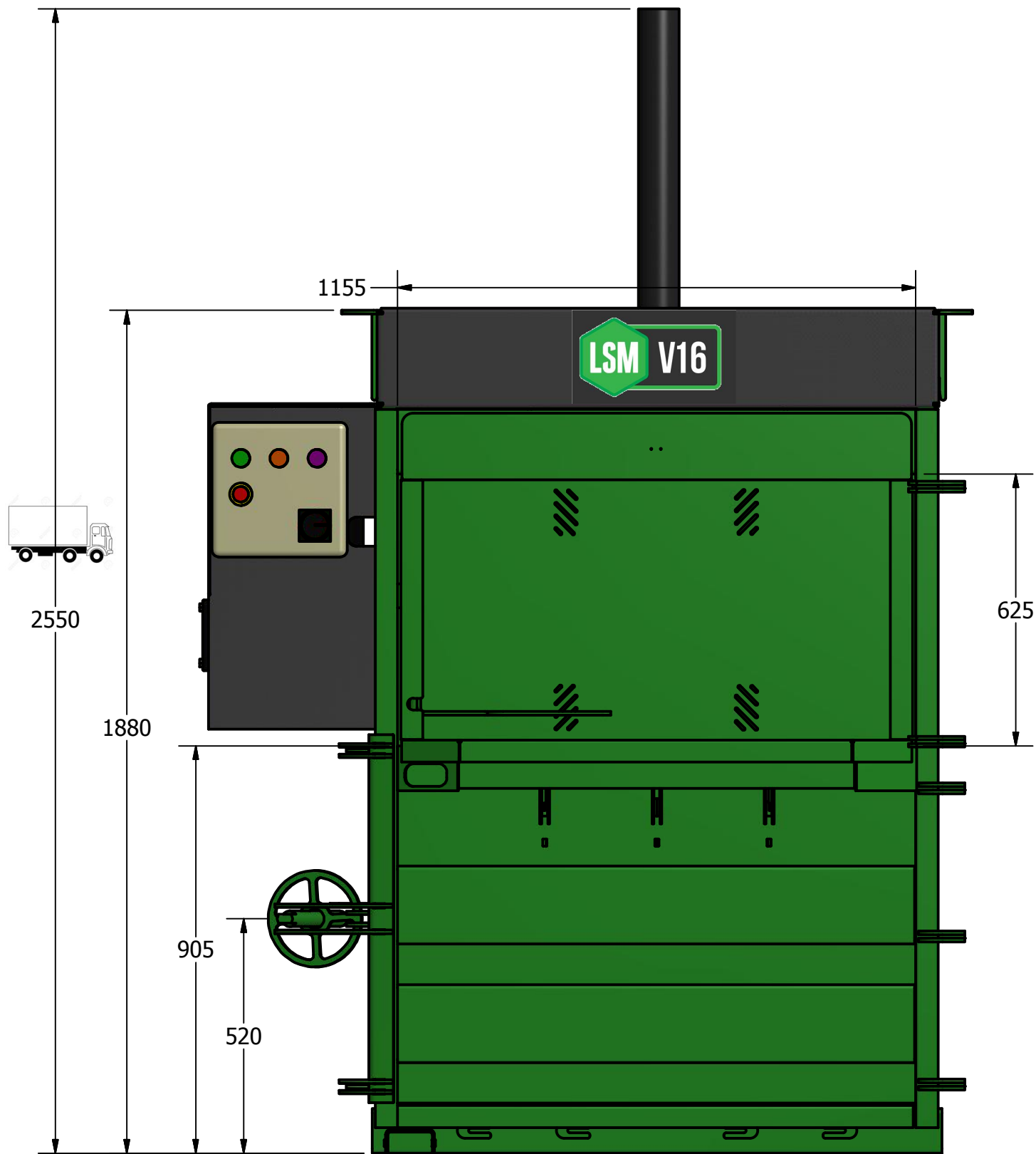
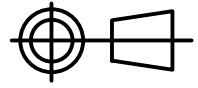


THIRD ANGLE PROJECTION



WWW.LSMLTD.COM

| | |
|----------------|--------|
| MODEL CODE | V16 |
| MACHINE WEIGHT | 950 Kg |
| NOISE LEVEL | 74 dB |