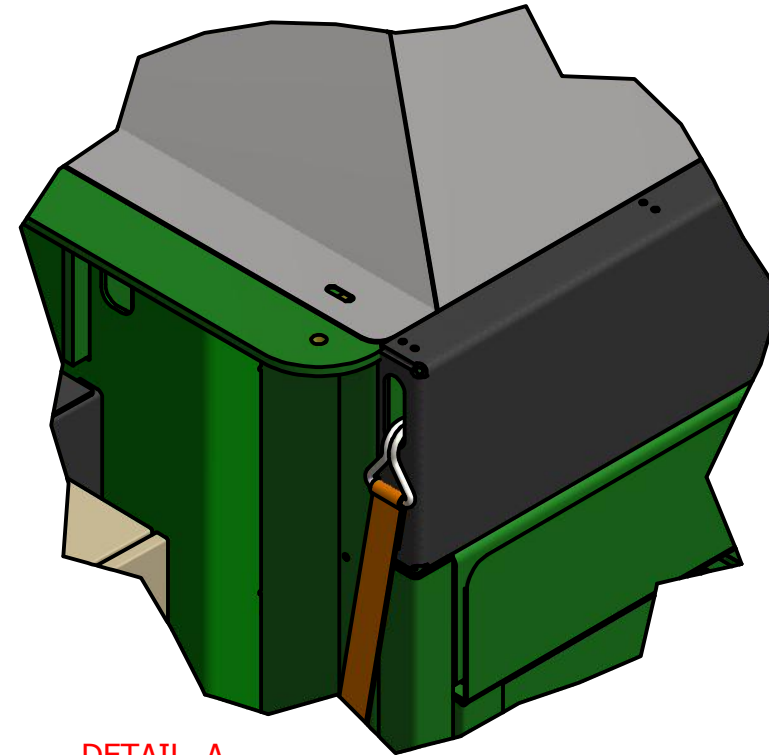
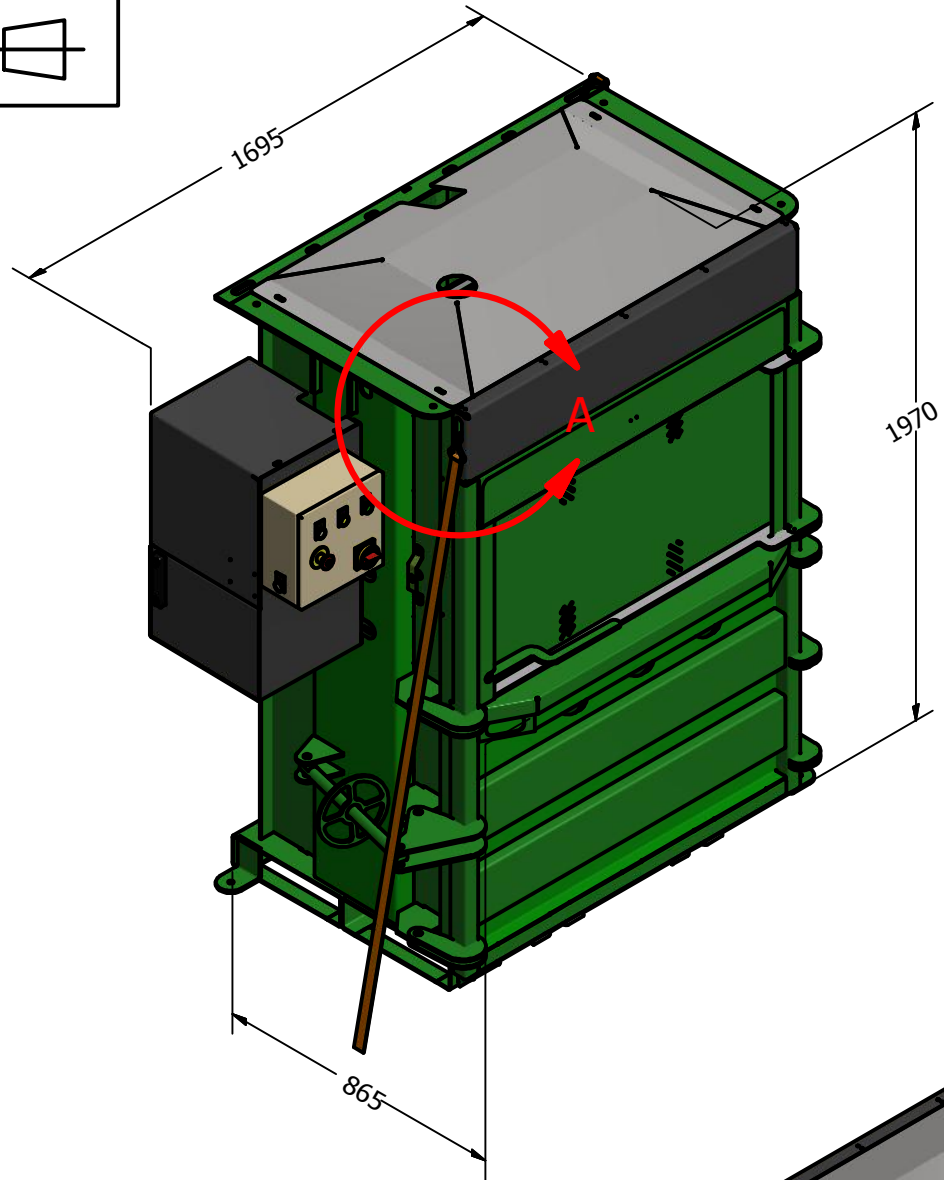
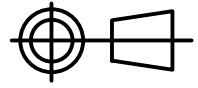
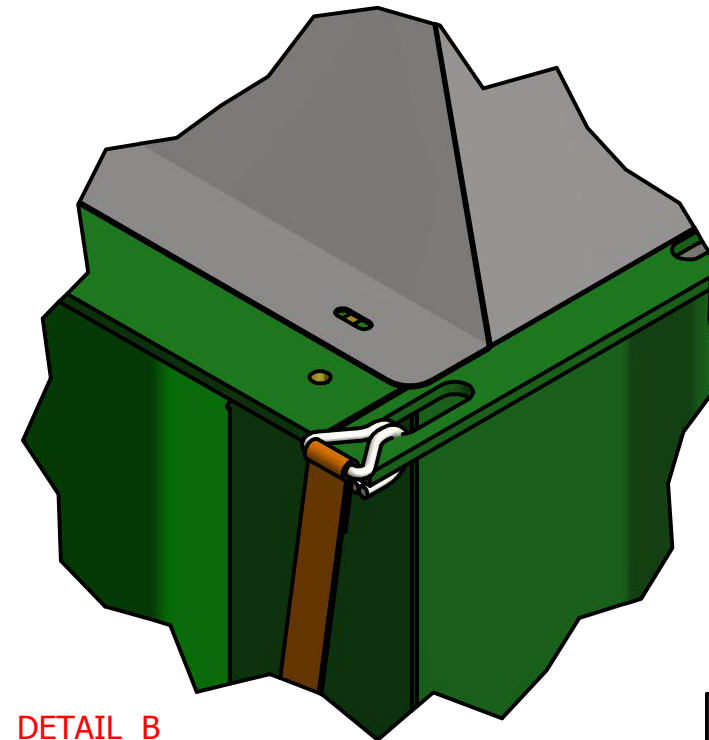
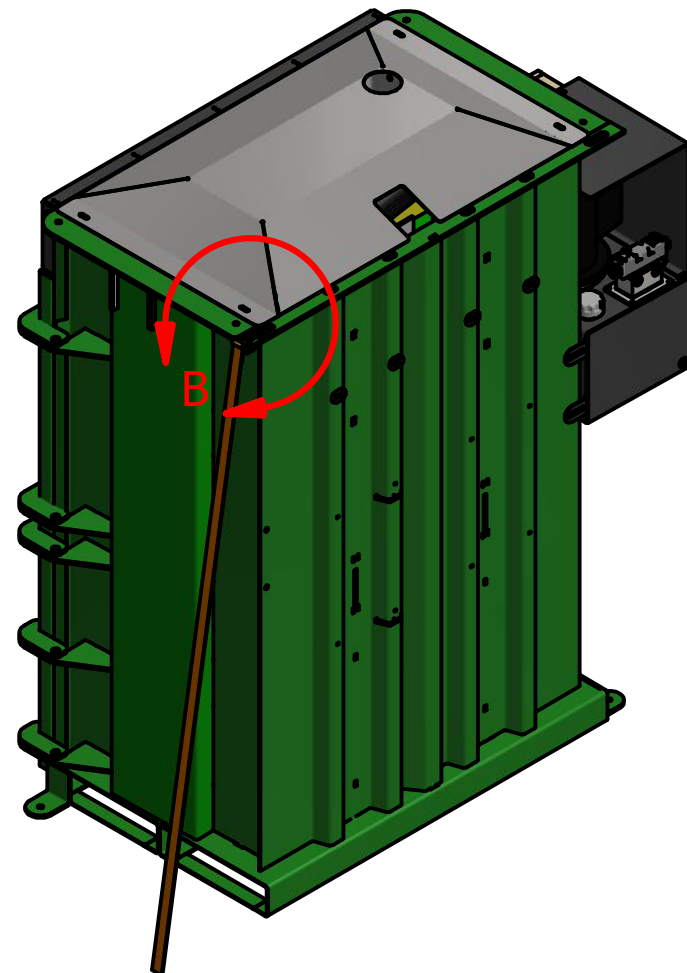


THIRD ANGLE PROJECTION



DETAIL A
SCALE 0.15 : 1



DETAIL B
SCALE 0.2 : 1



WWW.LSMLTD.COM

MODEL CODE	V20X
MACHINE WEIGHT	985 KG
RATCHET STRAPS REQUIRED	2