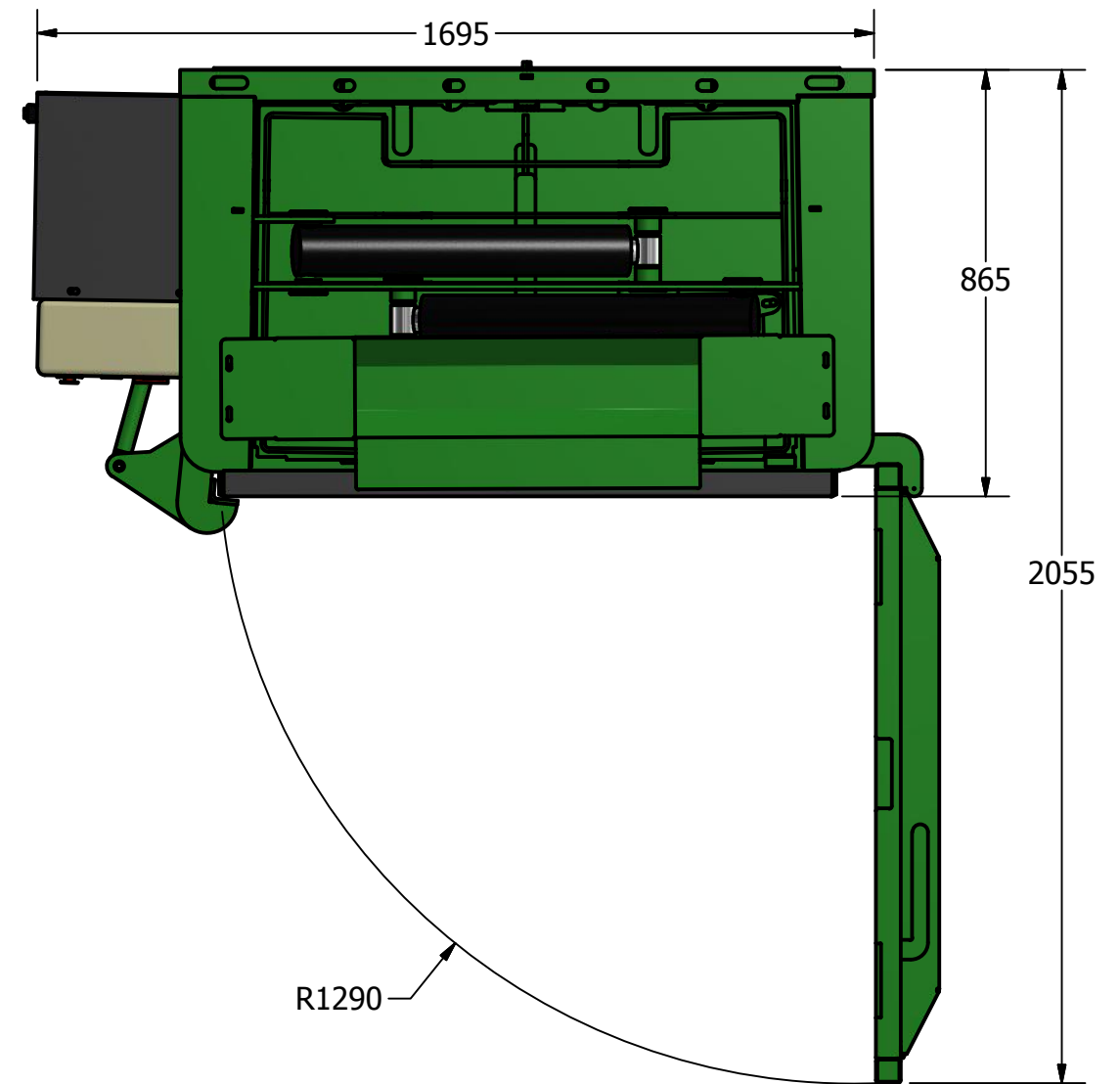
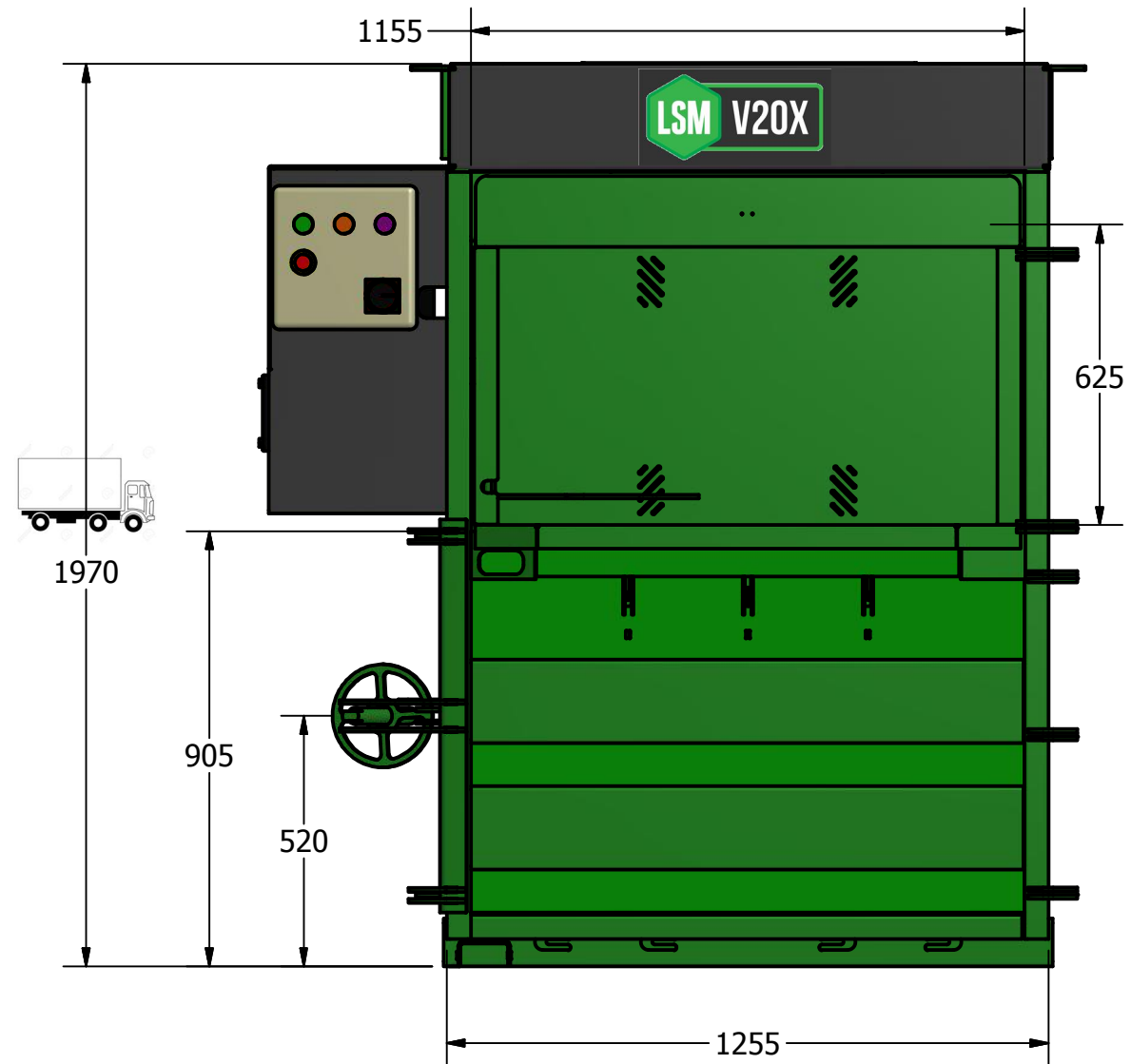
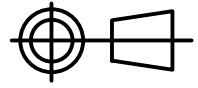


THIRD ANGLE PROJECTION



WWW.LSMLTD.COM

MODEL CODE	V20X
MACHINE WEIGHT	980 Kg
NOISE LEVEL	74 dB